

# CTC-PD

## CTC-PD HYDRAULIC THREAD PULL CYLINDER



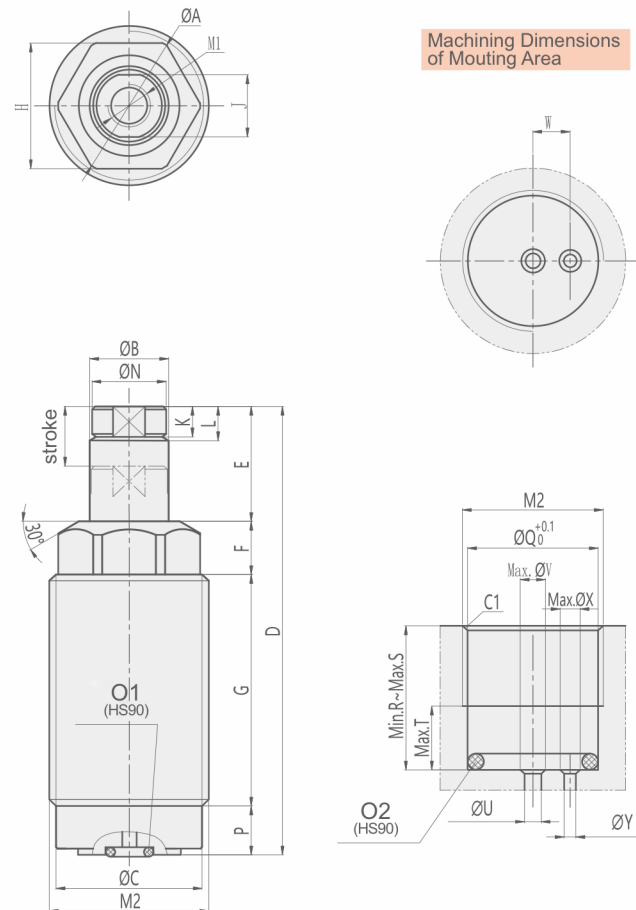
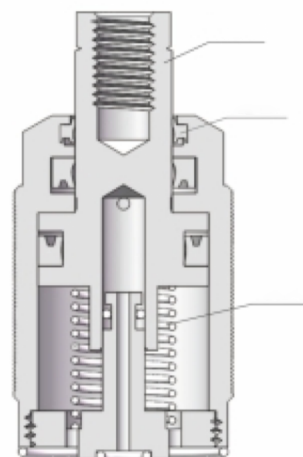
### FEATURES

The Thread-body single acting hydraulic cylinder use imported oil seal and accessories to guarantee the quality . No oil leakage while clamping in high pressure for a long time.The volume of the thread-body single acting hydraulic cylinder is small. It can be utilized in a small space in the fixture.This hydraulic cylinder is used to extend out, and when spring returns, but it can't be used for pulling back.

The angle degree between the cylinder and workpiece could not be larger than 10°while installing. The bottom of the cylinder barrel needs a leakage-proof gasket.

Max. operating pressure: 350 kgf/cm<sup>2</sup>  
 Min. operating pressure: 20 kgf/cm<sup>2</sup>  
 Single acting

Sectional view



External dimensions and machine dimensions for mounting Unit:mm

MODEL	CTC-PD022	CTC-PD025	CTC-PD030	CTC-PD036	CTC-PD048	CTC-PD058
A	19	21.5	27	33	45	55
B	10	10	12	16	20	25
C	20.3	23.3	28.3	34.3	46.3	56.3
D	5	51	51	-	-	-
	10	65	65	69	73	80
E	20	-	-	96	101	109
	5	10	10	-	-	-
F	10	15	15	16	17	19
	20	-	-	26	27	29
G	5	7.5	8	9.5	11.5	13.5
	10	27	26.5	-	-	-
H	20	36	35.5	35.5	35.5	38
	5	-	-	52.5	53.5	54.5
J	17	19	24	30	41	50
K	8	8	10	14	17	22
L	4.5	4.5	5.5	6.5	8.5	10
M1	5	5	6	7	9	10.5
M2	M6X1深11	M6X1深11	M8X1.25深18	M10X1.5深20	M12X1.75深22	M16X2深27
N	M22X1.5	M25X1.5	M30X1.5	M36X1.5	M48X1.5	M58X1.5
O1	9.5	9.5	11.5	15.5	19.5	24.5
O2	6.5	6.5	8	9	12	13
P	20.5	23.5	28.5	34.5	46.5	56.5
Q	13	14	15	17	20	20
R	5	32.5	32	-	-	-
	10	41.5	41	42.5	43.5	46.5
S	20	-	-	59.5	61.5	65.5
	5	5.5	5.5	7	8	11
T	3	3	3	4	6	6
U	5	5	5	5	7	7
V	7	7.5	9.5	12	15	18
W	4	4	4	4	4	4
X	3	3	3	3	3	3
Y	O1	P6	P6	P6	P6	P8
Z	O2	AS568-017	AS568-019	AS568-022	AS568-026	AS568-031
				AS568-031	AS568-031	AS568-034

### ORDERING INDICATION

#### CTC-PD022-10

CTC-PD	Series	CTC-PD
022	022/025/030/036/048/058	
10	STROKE	Please refer to the dimension table for the more details



### SPECIFICATIONS

MODEL	CLAMPING FORCE AT 350kgf/cm <sup>2</sup> (kgf)	HYDRAULIC CYLINDER INSIDE DIAMETER(mm)	TOTAL STROKE(mm)	OIL CAPACITY CLAMP(cm <sup>3</sup> )	EFFPISTON AREA CLAMP(cm <sup>2</sup> )	RANGE OF TEMPERATURE(°C)	USABLE FLUID
CTC-PD022	296	16	5/10	0.5/0.9	0.84	0~+70°C	Recommended: ISO-VG-32 hydraulic oil equivalent to ISO viscosity grade
CTC-PD025	489	18	5/10	0.7/1.4	1.37	0~+70°C	
CTC-PD030	806	22	10/20	2.3/4.6	2.29	0~+70°C	
CTC-PD036	1326	28	10/20	3.8/7.5	3.76	0~+70°C	
CTC-PD048	2265	36	10/20	6.4/12.8	6.40	0~+70°C	
CTC-PD058	3918	46	10/20	11.1/22.2	11.07	0~+70°C	