

CWD-B

CWD-B PNEUMATIC SEQUENCE VALVE

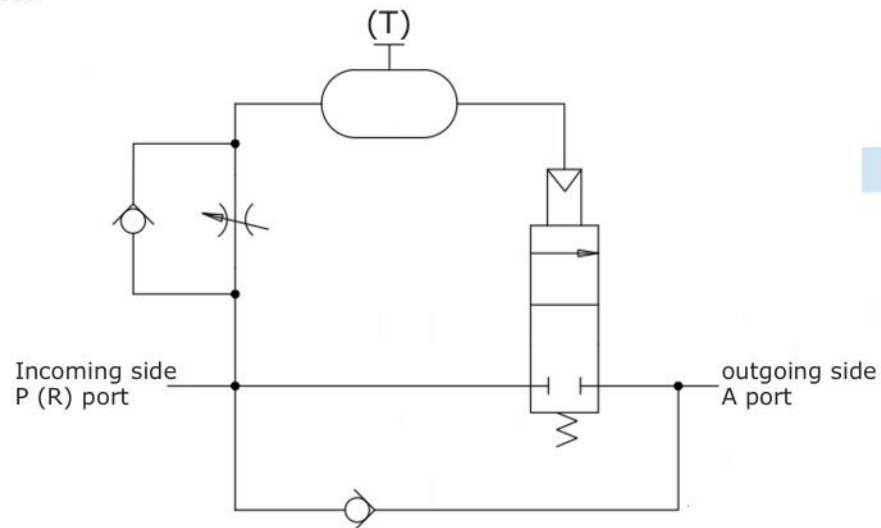


FEATURES

MODEL	MAX. OPERATING PRESSURE(Mpa)	MIN. OPERATING PRESSURE(Mpa)	WITHSTANDING PRESSURE(Mpa)	DELAYED TIME * 1 * 2 * 3 * 4 (sec)	MIN.PASSAGE AREA (m ²)	OPERATING TEMPERATURE(°C)	MASS (kg)	USABLE FLUID: OILED DRY CLEAN COMPRESSED AIR
CWD-B	0.6	0.2	1.5	1~10	4.0	0~70	0.2	Dry air

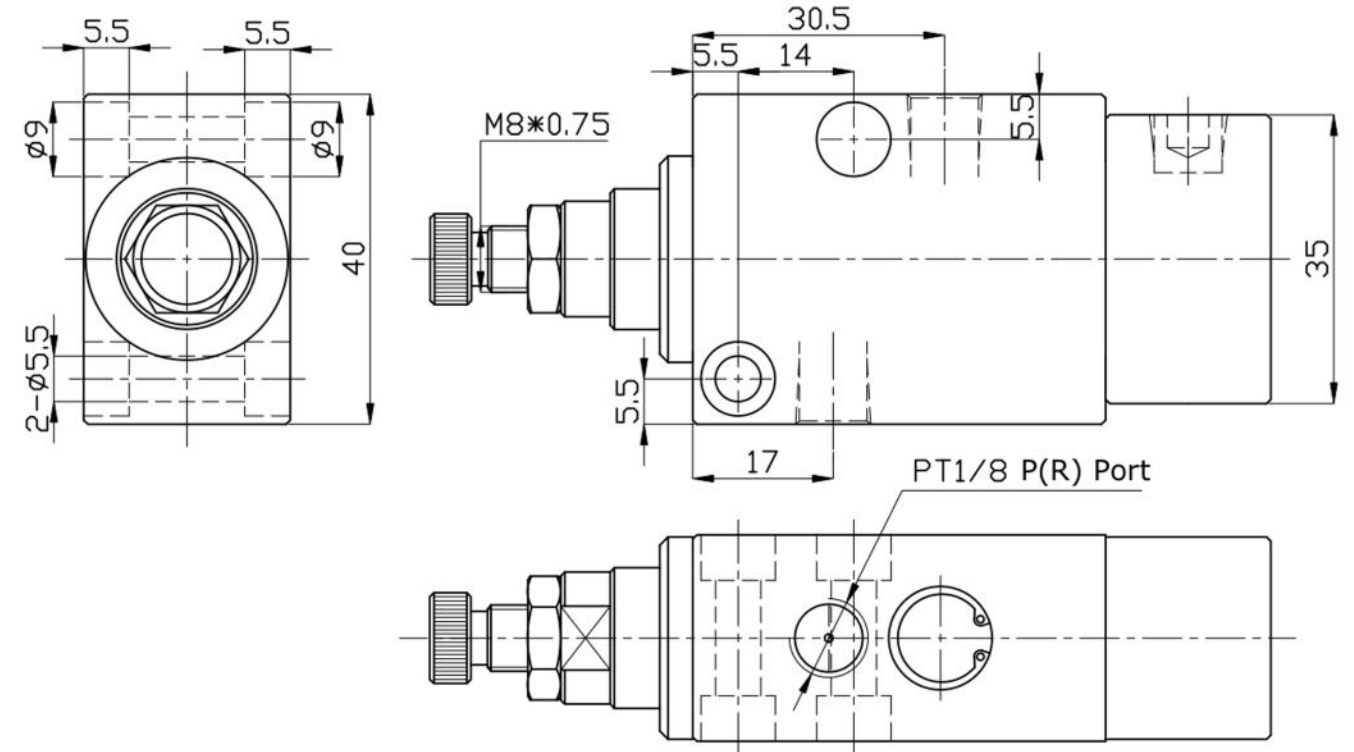
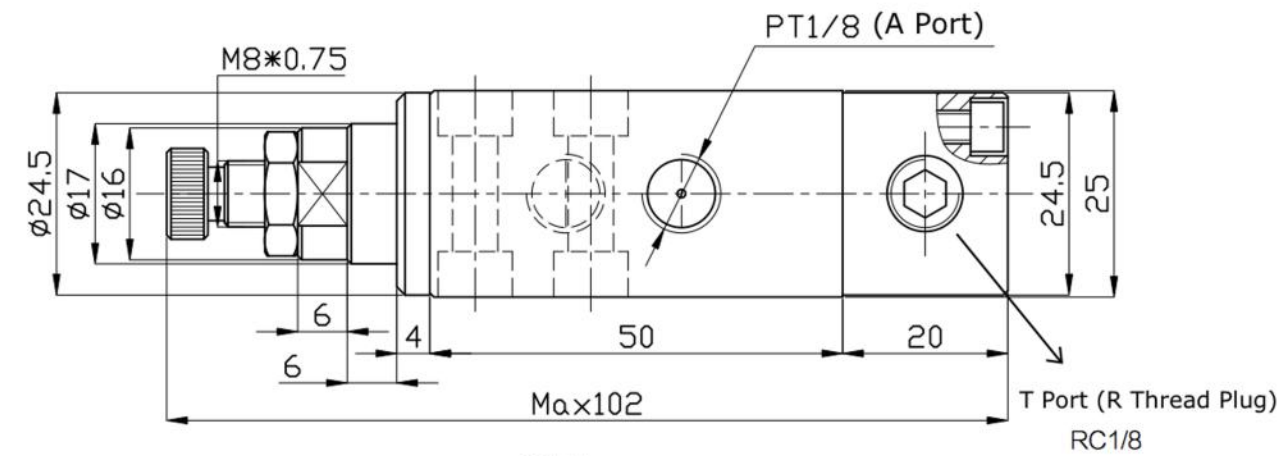
NOTE

1. If unused for a long period of time, the delay is longer than initial set time
2. It can extend the time delay from the tank and its capacity increases by using T port.
3. If actuators on outgoing side does not operate after the time delayed setting, verify setting after pressure returns to zero.
4. Confirmation for delayed time should be done after fastening the lock nut of the delayed time adjusting thread.



Circuit Symbol

* To protect from foreign contaminants and supply clean air that is filtered.



NOTE

The actual delay time owing to the different circuit conditions. Don't delay time is too tight or unscrew adjustment bolts Otherwise it may cause product damage