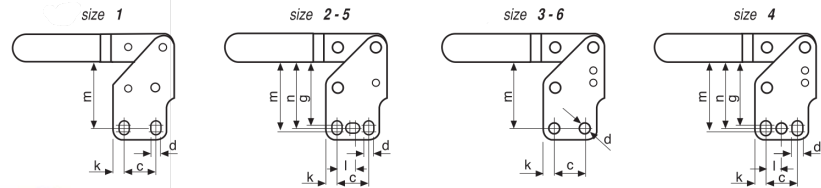
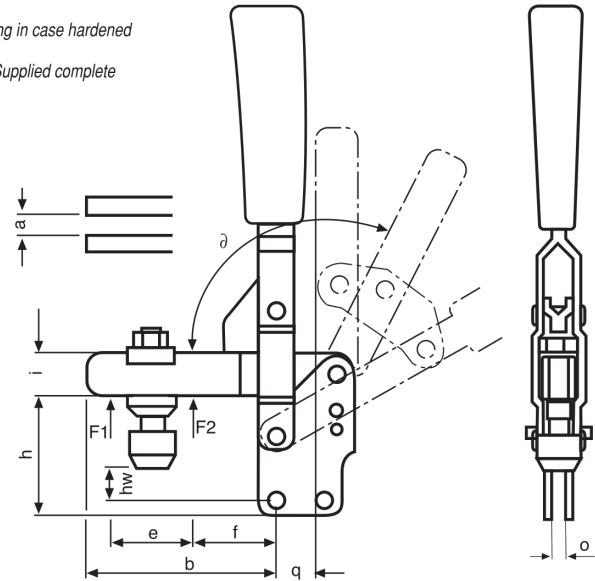
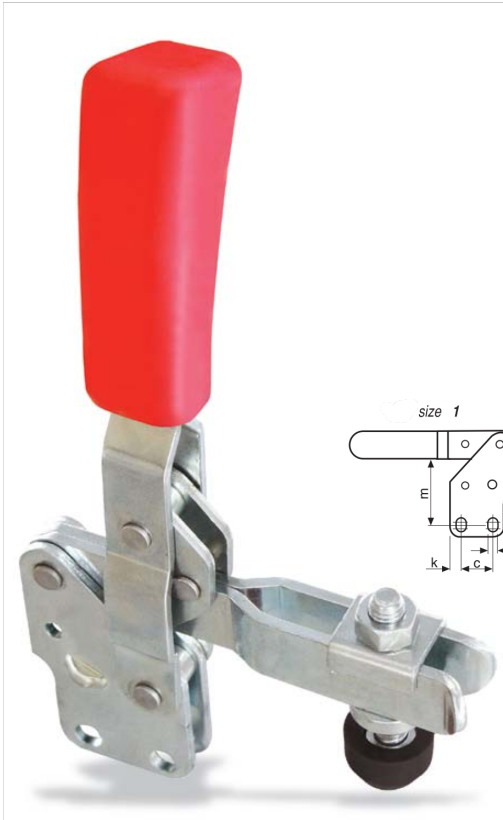


M11 Senkrechtspanner-Vertikalspanner senkrechter Fuß

M11

Vertical acting toggle clamps
with open clamping arm and vertical base.
Galvanized and passivated. Rivets of stainless steel running in case hardened
bushing, with bearing spots greased.
Ergonomic handle of red high quality oil-resistant plastic. Supplied complete
with tempered, galvanized clamping screw no.802



Size	F1 (kN)	F2 (kN)			hw		
1	0.8	1.1	117	60	2 ± 9	M5 x 30	114
2	0.8	1.2	153	76	5 ± 14	M6 x 35	178
3	1.8	2.5	210	105	8 ± 20	M8 x 45	400
4	2.0	3.0	255	140	5 ± 33	M8 x 65	740
5	3.0	5	323	190	22 ± 45	M12 x 80	1500
6	3.5	5.5	335	230	5 ± 57	M12 x 110	2160

Size	a	b	c	d	e	f	g	h	i	k	l	m	n	o	q	∠
1	5.5	41	16	4.5	19	14	-	31	10	5.5	-	27	-	5	12	88°
2	6.2	51	20	5.3	24	10	30	38	12	5	12	33	31.5	5	13	100°
3	8.5	72	20	7	29	27	-	50	18	7.5	-	44	-	6	16	105°
4	9	101	34.5	8.5	61	30	56.5	71.5	20	9.25	17	60	59	8	22	105°
5	14	137	45	8.5	88	40	65.5	78	25	10.5	25	68	67	10	31.5	115°
6	14	167	50	10.5	90	55	-	106	30	12.5	-	88.5	-	10	35	115°