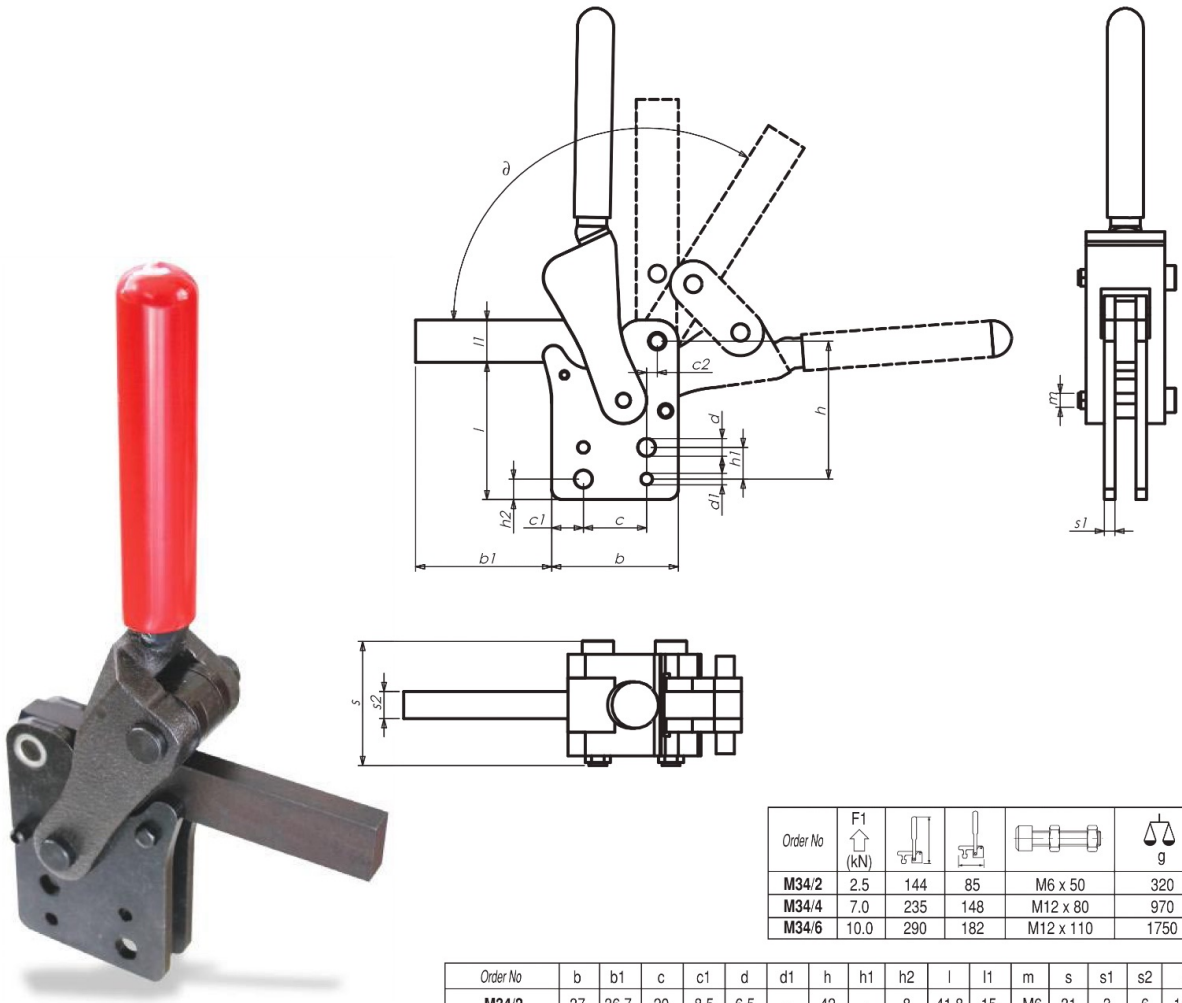


M34 Schwerer Senkrechtspanner – schwere Ausführung

M34

Heavy vertical acting toggle clamps with vertical base and mounting holes.
Reamed and case-hardened bearing bushes. Hardened, ground and permanently-lubricated pins.
Clamp nuts on lever arm to vary friction in movement.
Material : 4140 tempered
Lever arm made of cast steel, blued. Handle of red, oil-resistant plastic.



Order No	F1 ↑ (kN)				
M34/2	2.5	144	85	M6 x 50	320
M34/4	7.0	235	148	M12 x 80	970
M34/6	10.0	290	182	M12 x 110	1750

Order No	b	b1	c	c1	d	d1	h	h1	h2	l	l1	m	s	s1	s2	α
M34/2	37	36.7	20	8.5	6.5	-	42	-	8	41.8	15	M6	31	3	6	120°
M34/4	60	86	30	15	8.5	5.5	65	15	10	52	20	M8	52	5	10	120°
M34/6	75	106	45	15	10.5	7.5	87.5	20	15	72	25	M10	60	5	12	120°