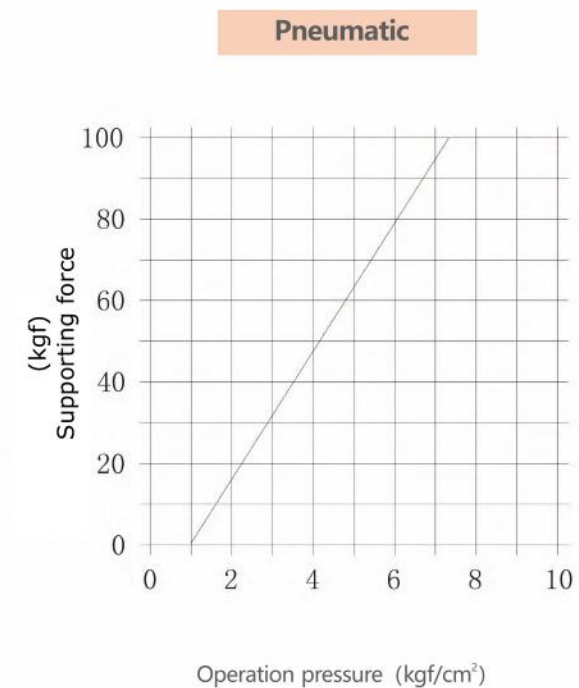
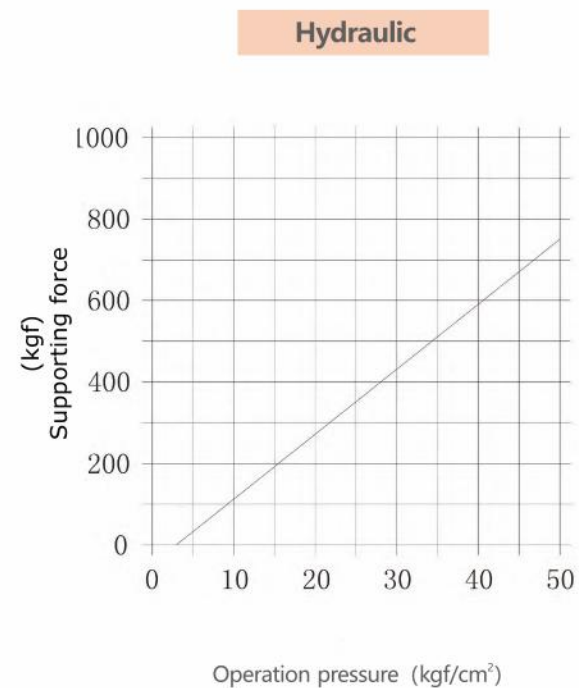


SP-AH

SP-AH PNEUMATIC /HYDRAULIC SUPPORT CLAMP



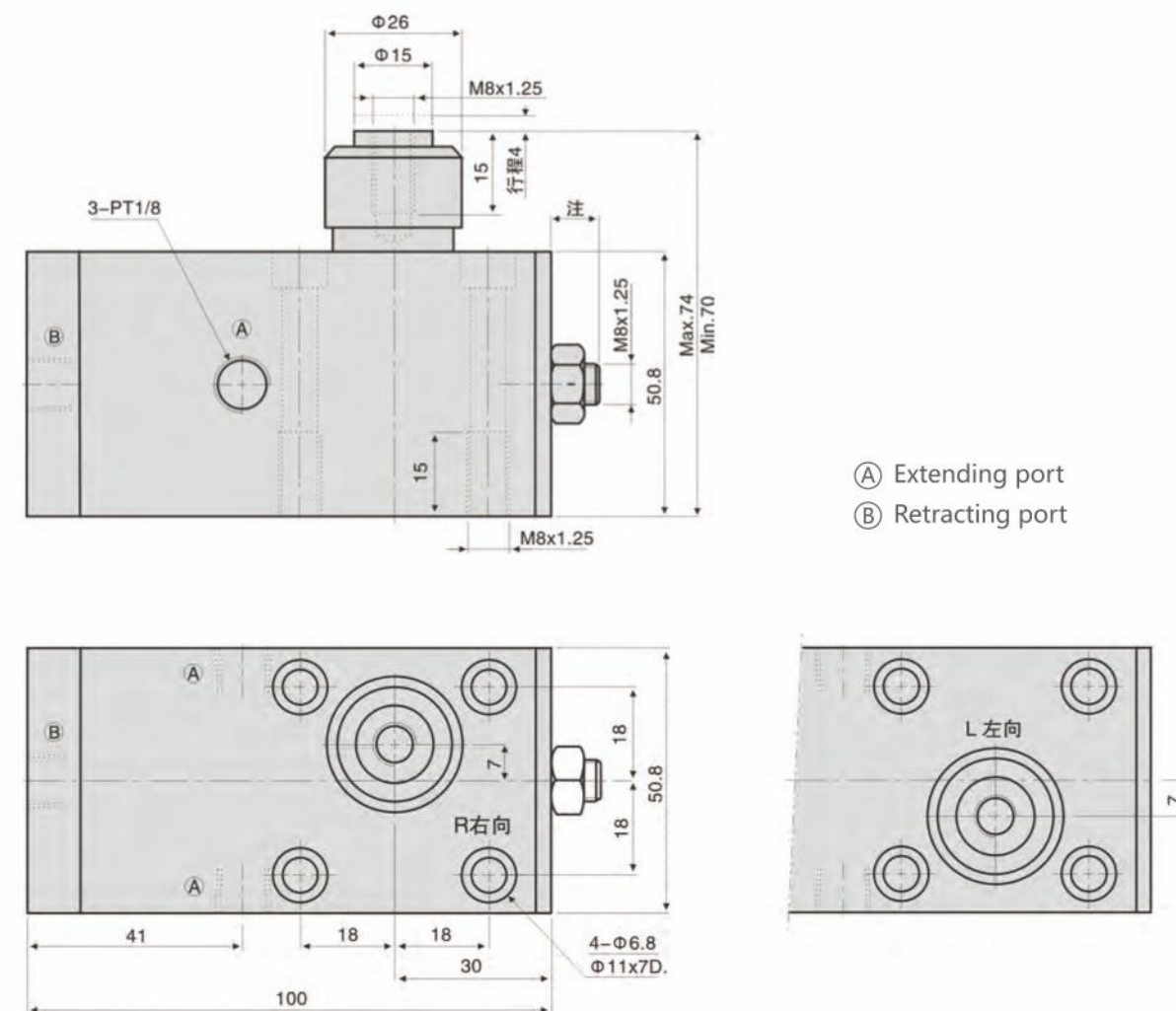
ORDERING INDICATION

SP-AH18RA

SP	SP
AH	Pneumatic/hydraulic type
18	Diameter of the extended piston rod
R	Turn right R Turn left L
A	A: Spring extended piston B: Hydraulic extended piston

A: Spring extended piston rod-adjust inward.
B: Hydraulic extended piston rod-adjust outward.
With A and B type adjusting screw.

Usable fluid: General Hydraulic Oil Equivalent to ISO-VG-32 or Oiled Dry Clean Compressed Air



Ⓐ Extending port
Ⓑ Retracting port