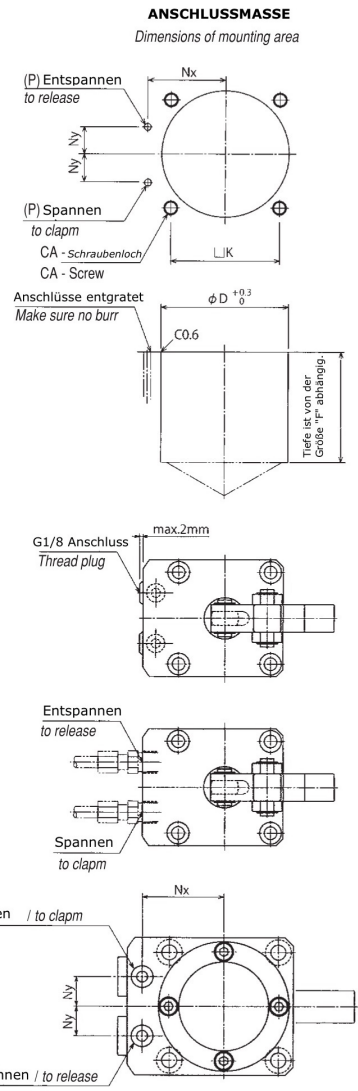
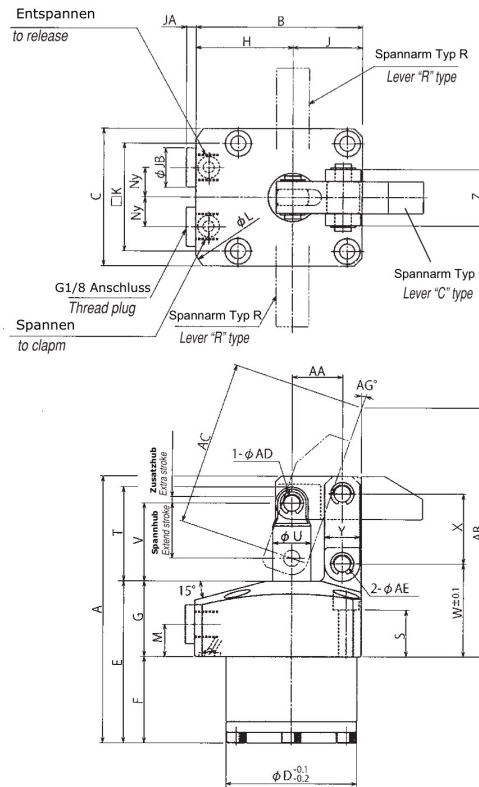


H12 Hydraulischer Hebelspanner

H12

Hydraulic link toggle clamp - Double acting
 Cylinder housing is made of high-strength black casting.
 Piston rod case-hardened and chrome plated.
 Wiper piston rod. Pin made of tempering steel. Integrated, adjustable restrictor.
 Clamp arm included.



Größe Size	Gesamthub Full stroke	Spannhub Extend stroke	Zusatzhub Extra stroke	Max. Betriebsdruck Max. operating pressure	Min. Betriebsdruck Min. operating pressure	Max. zul. Belastungsdruck Max. withstanding pressure	Medium Usable fluid	Betriebstemperatur Operating temperature	
24	18.5	16	2.5	7.0 mpa	0.5 mpa	10.5 mpa	Öl - oil	0 ~ 70°C	600
30	23.5	20.5	3	7.0 mpa	0.5 mpa	10.5 mpa	Öl - oil	0 ~ 70°C	800

Größe/Size	A	B	C	D	E	F	G	H	J	K	L	M	Nx	Ny	P	Q	R	S	T	U	V	W	X	Y	Z	AA	AB	AC	AD	AE	AG	CA	JA	JB
24	78.5	49	40	36	48	23	25	29	20	31.4	66	11	23.5	8	3	7.5	4.5	15.5	27	10	22.5	30	20	11	19	14.5	74.3	47.3	5	5	19.6	M4x0.7	3.5	14
30	100	61	51	48	60	32	28	35.5	25.5	40	81	12	30	11	3	9	5.5	16	35	14	29	34.5	26	13	24	18.5	92.4	61.2	6	6	18.9	M5x0.8	3.5	14