

## M70 Schnellspanner Schraubzwingenart mit waagrechttem Fuß

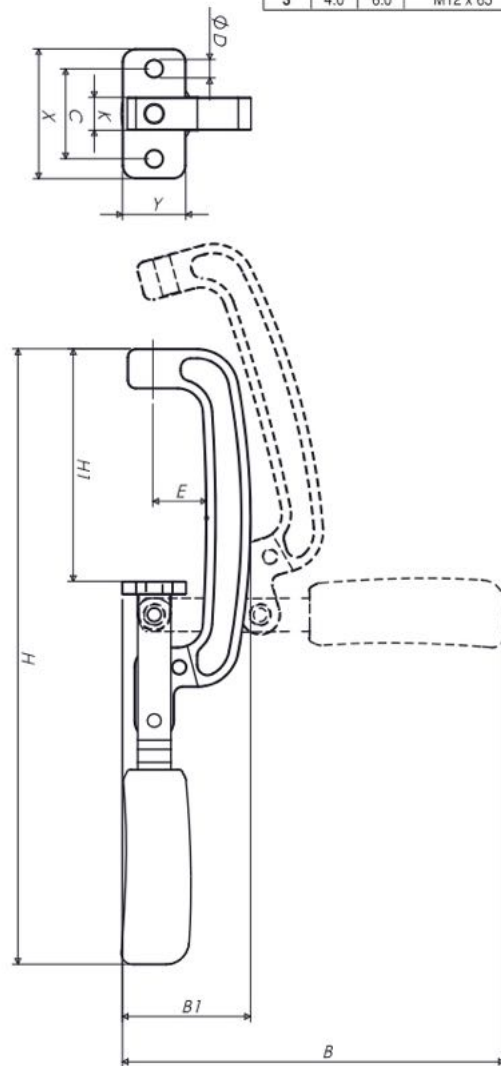
### M71

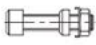

#### Squeezing type toggle clamps

Steel body. Galvanized and passivated.

Ergonomic handle of red high quality oil-resistant plastic.

Supplied complete with tempered, galvanized clamping screw



Size	F1 (kN)	F2 (kN)		
1	1.0	2.5	M8 x 65	800
3	4.0	6.0	M12 x 65	1530

Size	B	B1	C	D	E	H	H1	K	Y	X
1	204	60	40	Ø8	24	282	77	16	38	58
3	230	77	54	Ø10	31	372	140	26	38	78