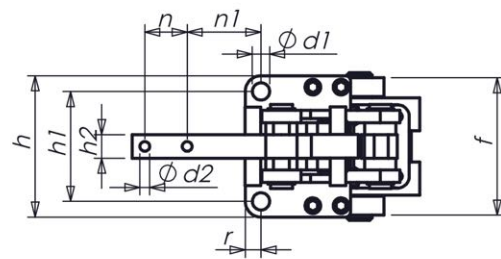
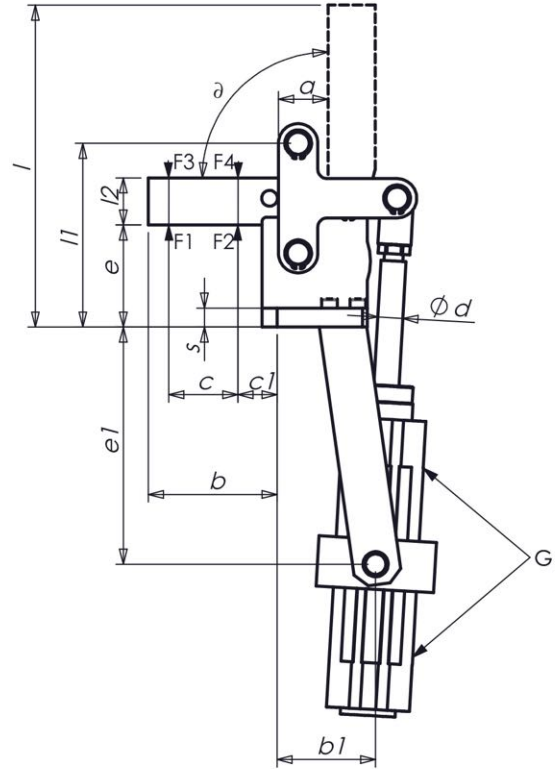


P62 Schwerer Pneumatikspanner-Vertikaler Zylinder

P62

Heavy pneumatic toggle clamp

With vertical cylinder attachment
Tempering steel, burnished. The axle bolts running in running in bearing bushes are tempereed, ground and locked with circlips.
With magnetic piston for end-position monitoring.
The clamp is ready for installation.
With double-acting pnomatik cylinder.
Toggle clamp element P63



Größe Size	F1*** (kN)	F2 (kN)	F3* (kN)	F4* (kN)	F5 (kN)	hs**			g
4	6	9	1.5	2.2	0.75	1.0	172	340	5100
6	12	18	2.5	3.5	1.00	1.8	195	286	72500
8	20	30	4.0	6.0	1.80	4.3	272	470	16800

*F3 + F4 = Max. Haltekraft bei 6 / Max. Holding capacity at 6 bar
**hs = Luftverbrauch pro Doppelhub bei 6 bar (dm³) / Air consumption per double stroke at 6 bar (dm³)
***F1 / F2 = Haltekraft

Größe/Size	a	b	b1	c	c1	d	d1	d2	e	e1	f	h	h1	h2	l	l1	l2	n	n1	r	s	t	u	∂	Zylinder/cylinder Stroß/ HUB	Kolben- durchmesser	G
4	32	82	46	54	20	16	11	6.2	57	193	90	90	70	15	206	117	30	27	47	10	12	46	193	90°	74	40	G1/4
6	29	91	48	60	22	16	13	8.2	69	221	100	107	83	20	226	137	40	26	54	12	15	48	221	90°	87	50	G1/4
8	45	125	77	95	24.5	16	17	13.2	94	255	123	145	115	30	318	184	60	40	67	15	20	77	255	90°	120	63	G1/4

Kolbendurchmesser x = F5 : Notwendiges Zylinderdurchmesser für die angegebene Kraft bei 6 bar