

PLP – Pneumatic Link Clamp



Product Features :

- compact series for use in tight spaces
- Material: Aluminium alloy body
- Clamping arm is C45 Carbon Steel
- lightweight, robust and reliable
- high durability
- Holding capacity 0,2kN up to 4,69kN
- Magnetic piston optional (for end position monitoring with optional sensors)
- complete with clamping arm
- double acting
- Operating pressure : 3 to 7 bar
- Range of Temperature : -10 ~ +60C°

Note :

- Filtered and oiled compressed air must be used !
- Customized modifications are possible !

→ CAD-files and prices on Request !

▼ Order-Codes, specifications, drawings and dimensions table in mm

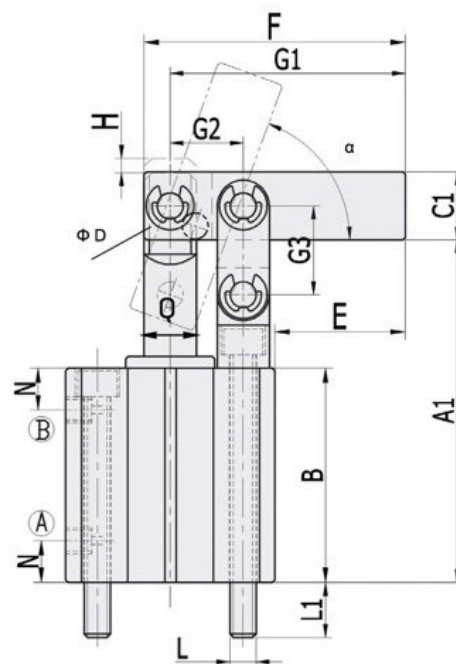
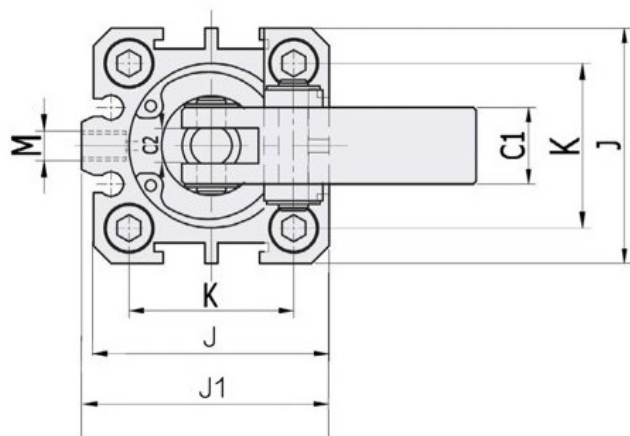
Ordering Indication : **PLP-MS 32 S1**

①	PLP	SERIES	PLP
②	MS	Piston type	Blank : Standard type (non-magnetic) MS : with magnetic induction (for position monitoring)
③	32	Cylinder inside diameter	ø25, ø32, ø40, ø50, ø63, ø80, ø100
④	S1	Sensor switch (reed sensor)	S1 : 1 Sensor S2 : 2 Sensors

Specification :

Model No.	Clamping Force at 7 bar [kN]	Clamping Stroke [mm]	TOTAL STROKE [mm]	Cylinder Capacity CLAMP [cm ³]	Cylinder Capacity UNCLAMP [cm ³]	Eff. Piston Area CLAMP [cm ²]	Eff. Piston Area UNCLAMP [cm ²]	Weight Standard/MS [kg]
PLP-25	0,20	17	20	9,82	8,24	4,91	4,12	0.24 / 0.29
PLP-32	0,31	20	23	18,49	15,89	8,04	6,91	0.42 / 0.48
PLP-40	0,56	22	25	31,40	26,40	12,57	10,56	0.55 / 0.63
PLP-50	0,91	27	30	58,89	49,47	19,63	16,49	0.95 / 1.05
PLP-63	1,69	32	35	109,06	98,00	31,16	28	1.45 / 1.60
PLP-80	2,79	40	43	216,03	195,22	50,24	45,4	
PLP-100	4,69	45	48	376,80	338,40	78,5	70,50	

- Ⓐ SPANNEN / Clamping port
- Ⓑ ENTSPANNEN / Unclamping port



Dimension table [mm] :

MODEL	Standard Type		With Magnet		C1	C2	ΦD	E	F	G1	G2	G3	H	J	J1	K	L	L1	M	N	α	Q
	A1	B	A1	B																		
PLP-25	65,5	41	75,5	51	13	6	Φ5	25	50	45	14	17	3	40	-	28	M5x0.8	10,5	M5x0.8	8	75°	ø10
PLP-32	78	49	93	64	16	8	Φ6	31	60	53	17	20	3	44	50	34	M5x0.8	11	PT1/8	9	70°	ø12
PLP-40	82,5	51,5	97,5	66,5	16	8	Φ6	32	65	58	20	22	3	52	58	40	M6x1.0	9,5	PT1/8	10	65°	ø16
PLP-50	96,6	58,6	106,6	68,6	19	10	Φ8	35	75	66	23	27	3	62	71	48	M6x1.0	11	PT1/4	11	70°	ø20
PLP-63	115,5	72,5	125,5	82,5	22	10	Φ8	38,5	85	76	29,5	32	3	75	84,5	60	M6x1.0	11	PT1/4	11	65°	ø20
PLP-80	138	84	148	94	22	10	Φ10	47	105	94	37	40	3	94	104	74	M8	15,5	PT1/4	14	65°	ø25
PLP-100	163,5	99	173,5	109	25	12	Φ12	53	125	110	45	45	3	114	124	90	M10	15	PT1/4	18	60°	ø32